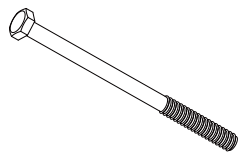
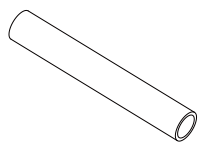


# FOCUS STOOL ASSEMBLY

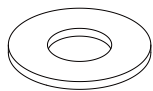
## Assembly Accessories



Thread rod M10 1PC



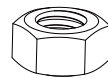
Supporting tube 1PC



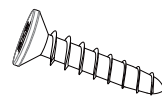
Washer 1PC



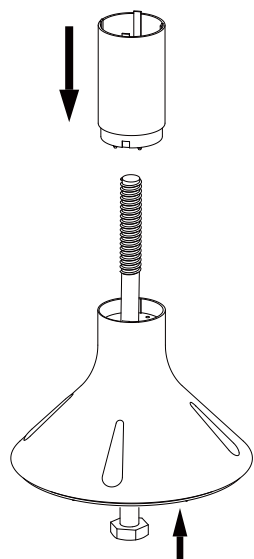
Spring washer 1PC



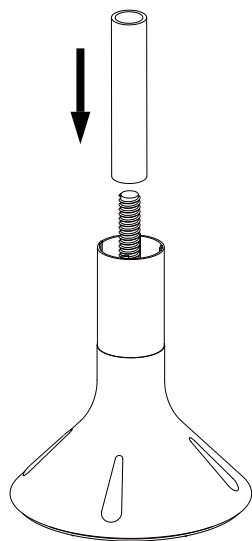
Screw nut 1PC



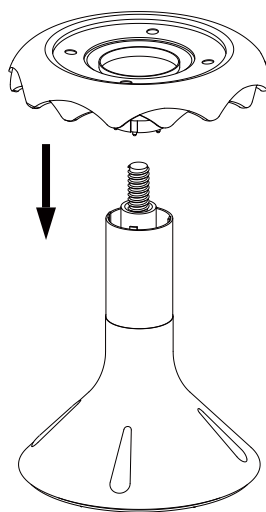
Self-tapping screw  
M5x16 6PCS



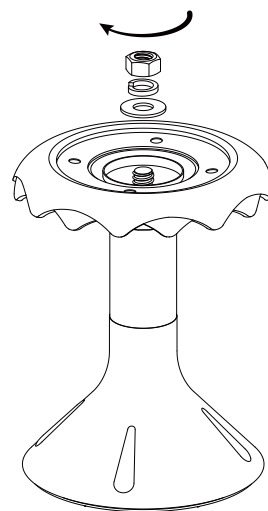
- 1** Insert the thread rod and install the middle tube according to the direction of slot.



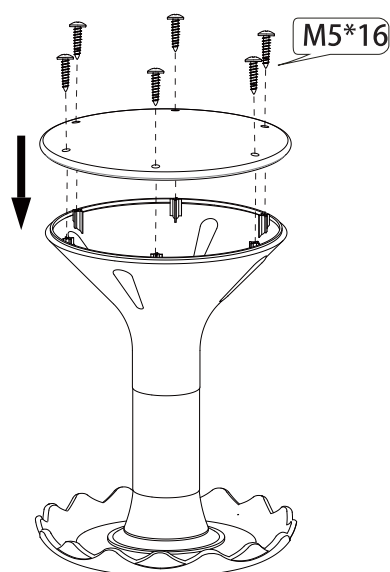
- 2** Insert the supporting tube



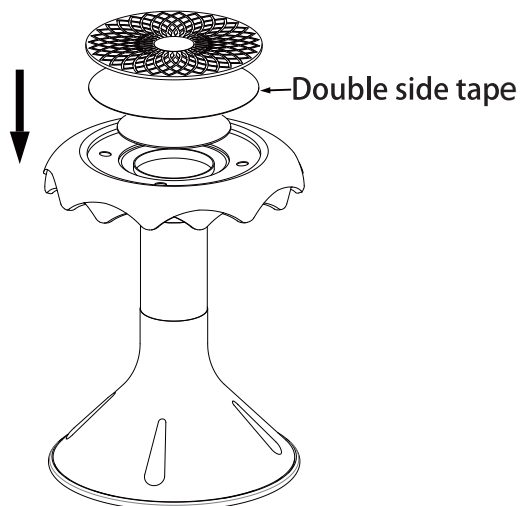
- 3** Install the upper seat according to the direction of slot



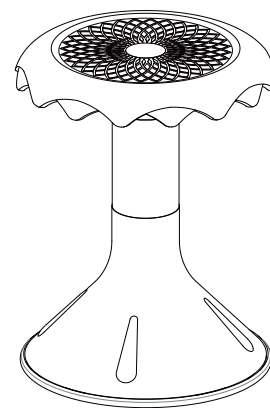
- 4** Install the washer and screw nut



- 5** Install the bottom



- 6** First push tiny plastic sheet and then bonding soft TPR by using double-side glue.



- 7** Install finished